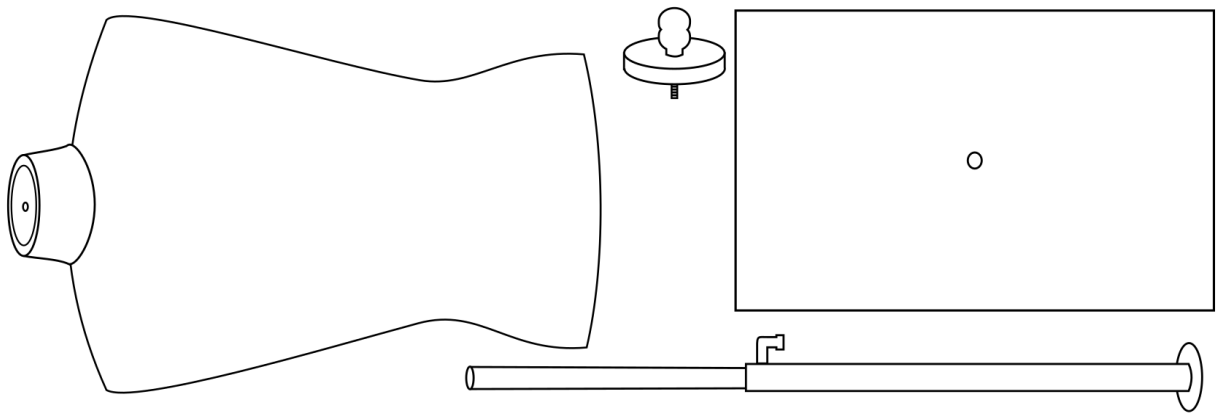


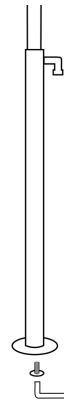
# THE SHOP COMPANY

## Display Form on Wood or Metal Square Base



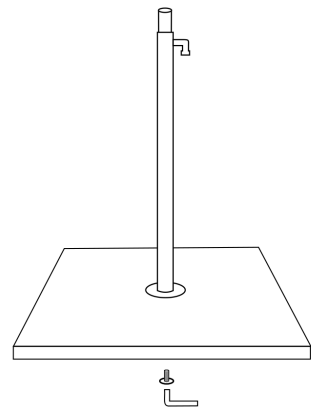
### Step 1.

Use the included allen wrench (packed inside the pole) to remove the screw on the bottom of the pole.



### Step 2.

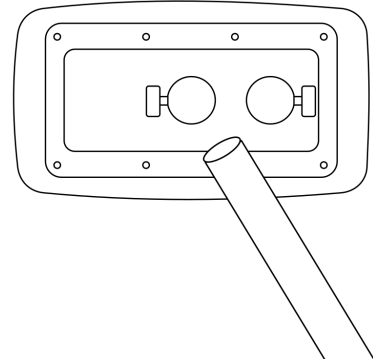
Place the pole over the hole in the center of the base and use the allen wrench to secure the screw underneath the base back into the pole (thus connecting the pole to the base).



### Step 3.

When the pole is securely fastened to the base, slide the form onto the top part of the pole and tighten the t-screw to hold it in place.

The male and female forms come with two connectors at the bottom - the standard one in the center and a second one on the form's right side. The second connector will allow you to use the form with pants.



### Step 4

Finial & Armless version:

Screw the top finial into the neck of the form. If the paper disc at the top is covering the hole, you can just puncture the paper in the middle to reveal the hole.

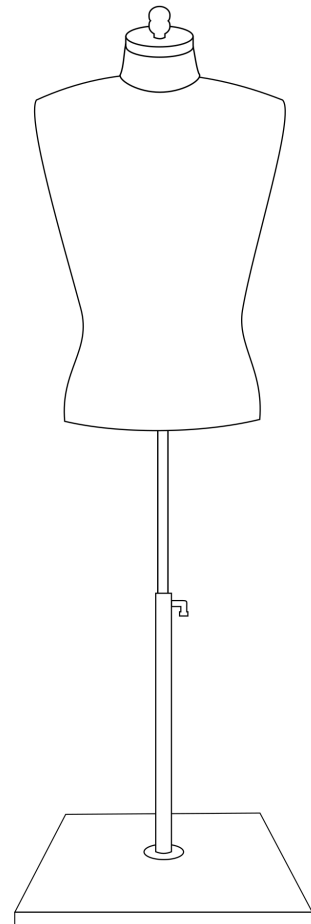
Head & Arms version:

Screw the head into the neck of the form. If the paper disc at the top is covering the hole, you can just puncture the paper in the middle to reveal the hole.

The arms can be attached by placing the spring through the shoulder hole and twisting the entire arm clockwise until the spring catches securely on the rod inside the shoulder hole and locks in place.

To further tighten the shoulder joint or any of the other joints on the arm simply twist the joint clockwise until it reaches your desired tightness.

Enjoy your TSC form!



If you ever have any questions about the assembly or about your TSC form, please do not hesitate to reach out to us at [help@theshopcompany.com](mailto:help@theshopcompany.com)