

THE SHOP COMPANY

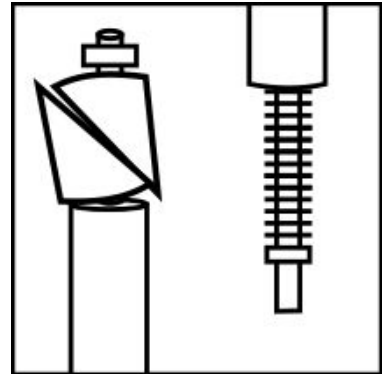
Supplement: Pole & Base Assembly

The full assembly instructions for your form can be found in the box with the base. This supplement is to provide more detailed instructions for properly connecting the height-adjustable pole (“the chrome pole”) to the base.

The Chrome Pole

There are two ends to the chrome pole. The top has two split triangles which, at rest, are pushing outwards. This outward force of the split triangles is what holds the form vertically in place.

A thin rod protrudes from the bottom of the chrome pole upon which sits a metal spring which is held in place by a nut. This spring is what creates the outward force of the split triangles on the top.

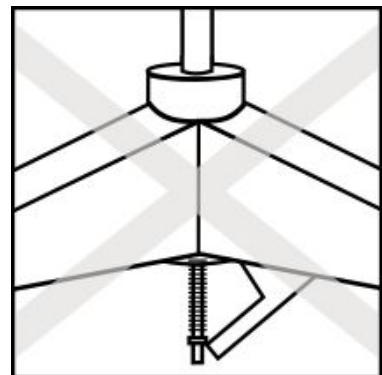
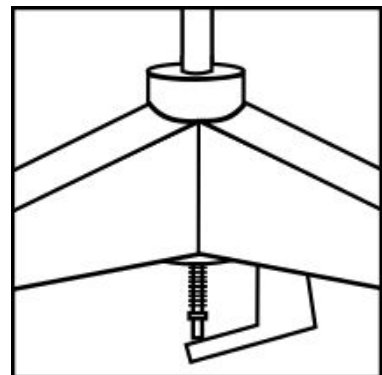


Connecting to the Base

Attach the pedal into its place on the base.

Slide the bottom of the chrome pole through the hole of the base (the fit will be tight) until the end section of the pedal catches the chrome pole’s thin rod. Then, secure the chrome pole in place with the included t-screws. It is sufficient to only tighten one of the t-screws (and is often more secure with just one t-screw tightened).

Do not slide the pole down too far down so that the pedal will not catch the thin rod, otherwise the pedal will not work.

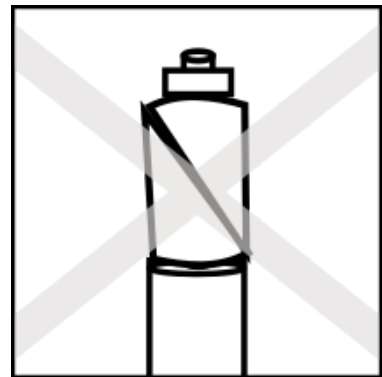
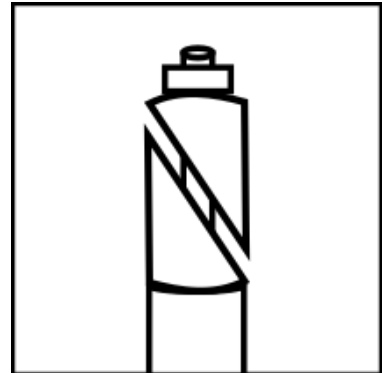


Verifying Proper Installation

Once properly installed, pushing down on the pedal should release the outward force of the split triangles on the top of the chrome pole enough so that there is lots of room in between the triangles and they can easily be aligned together by hand.

If pushing down on the pedal barely allows the triangles to align, then the chrome pole is installed too high (and the black pole will have trouble fitting over). To fix this, simply lower the chrome pole a bit more through the base (and secure it in place with the t-screws) while still making sure that the pedal catches the rod.

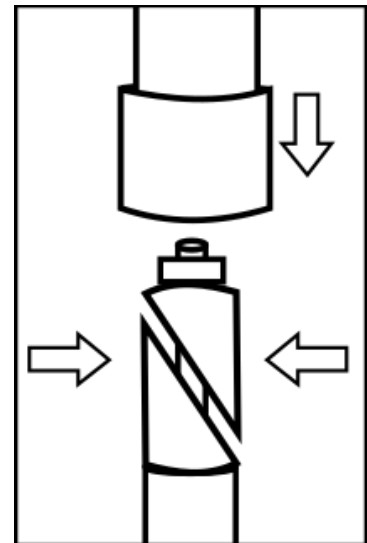
The lower the chrome pole is inserted through the base, the more the pedal motion will be able to release the pressure of the split triangles.



Connecting the Black Pole

Once the chrome pole is properly installed, the black pole can then be inserted over the chrome pole by pushing down on the pedal and aligning the split triangles together with one hand. This should allow the black pole to easily slide over. Removing your foot from the pedal will then lock the black pole in place.

The torso is now ready to be connected.



If you have any questions about the pole assembly, please do not hesitate to reach out to us at help@theshopcompany.com